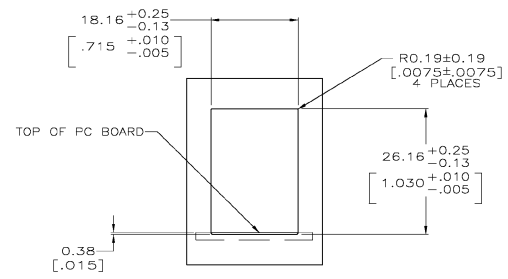
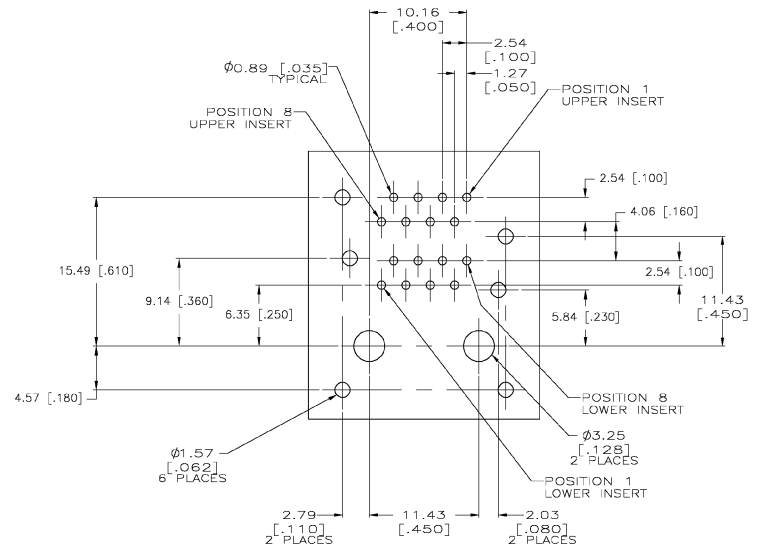
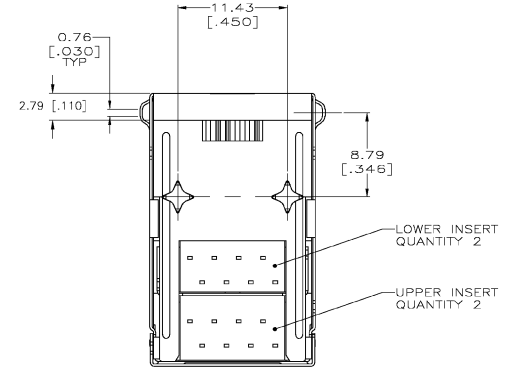
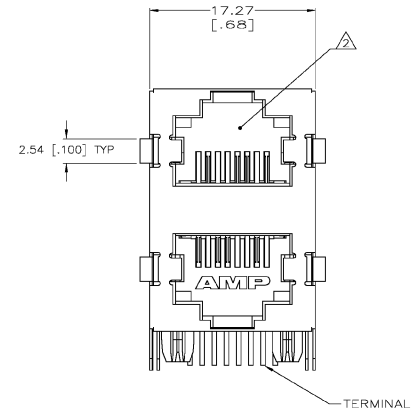
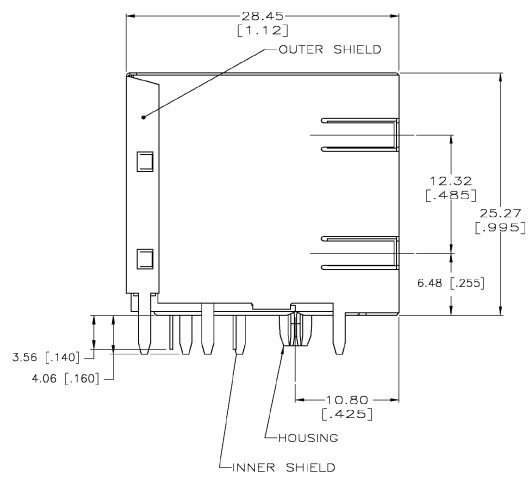
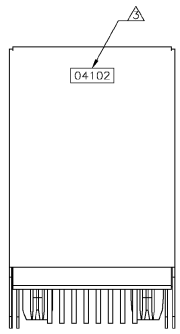


THIS DRAWING IS UNPUBLISHED. RELEASED FOR PUBLICATION BY THE ELECTRONICS CORPORATION. ALL RIGHTS RESERVED.

| REV | DATE | DESCRIPTION | BY | CHK | APP |
|-----|------|-------------------------|----|-----|-----|
| AA | 22 | | | | |
| G | | REV PER EC 0511-0105-03 | | | |



- △ MATERIAL: HOUSING - PCT POLYESTER, BLACK, UL94V-0. OVERMOLDED TERMINAL ARRAY - PBT, BROWN. TERMINALS - 0.33 [0.013] THICK PHOS BRONZE PLATED WITH 1.27μm [0.00050] MIN THICK HARD GOLD IN LOCALIZED AREA AND 3.81μm [0.00150] MIN THICK TIN-LEAD IN SOLDER AREA OVER 1.27μm [0.00050] MIN THICK NICKEL UNDERPLATE. SHIELD - 0.25 [0.010] THICK COPPER ALLOY PLATED WITH 2.03μm [0.00080] MIN TIN-LEAD OVER 2.54μm [0.00100] MIN COPPER.
- △ JACK CAVITY CONFORMS TO FCC RULES AND REGULATIONS, PART 68 SUBPART F.
- △ DATE CODE LOCATED ON REAR OF PART APPROXIMATELY AS SHOWN: FIRST 2 DIGITS ARE LAST 2 DIGITS OF YEAR, SECOND 2 DIGITS ARE MANUFACTURING WORK WEEK, LAST DIGIT IS DAY OF WEEK, WITH SUNDAY = 1.

PC BOARD LAYOUT VIEWED FROM COMPONENT SIDE

SUGGESTED PANEL CUTOUT DIMENSIONS SCALE 2:1

569381-1
PART NUMBER

| | | | |
|--|--|---------------|------------------------------------|
| THIS DRAWING IS A CONTROLLED DOCUMENT. | | DATE: 5-22-90 | TYPE: Type Electronics Corporation |
| DRAWN BY: SPRINKLE | | DATE: 4-28-90 | PART: 569381-1 |
| CHECKED BY: WHITT | | DATE: 7-3-90 | REV: 1 |
| APPROVED BY: [Signature] | | DATE: 7-3-90 | REV: 1 |
| PRODUCT SPEC: 108-1163-2 | | DATE: 7-3-90 | REV: 1 |
| APPROVAL SPEC: 114-2048 | | DATE: 7-3-90 | REV: 1 |
| MATERIAL: [Symbol] | | DATE: 7-3-90 | REV: 1 |
| FINISH: [Symbol] | | DATE: 7-3-90 | REV: 1 |
| CUSTOMER DRAWING | | SCALE: 4:1 | SHEET: 1 OF 1 |